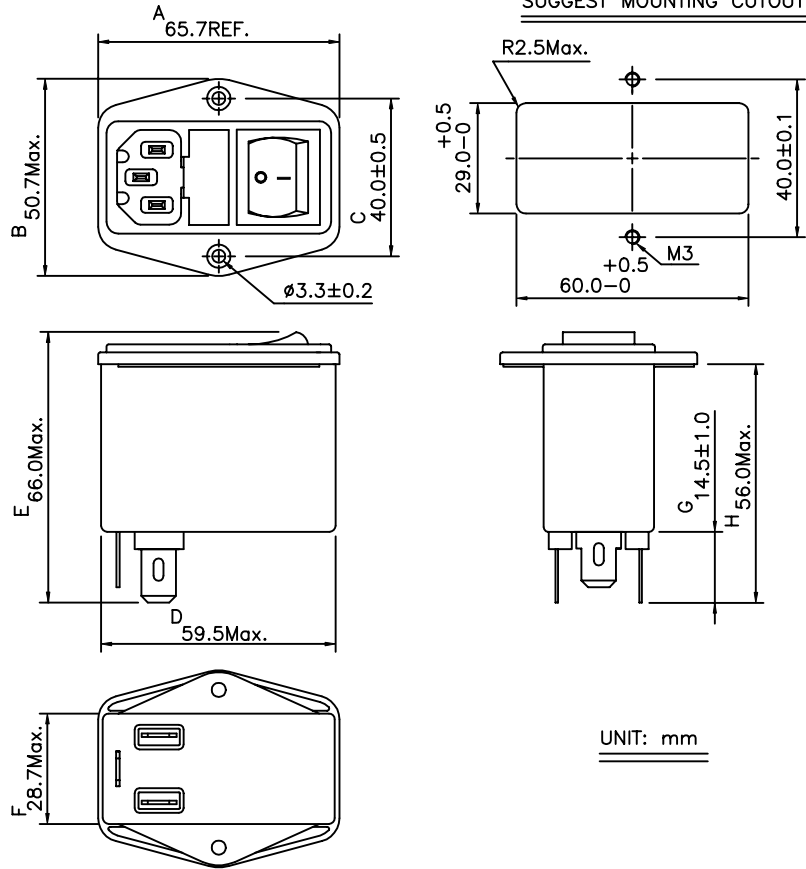


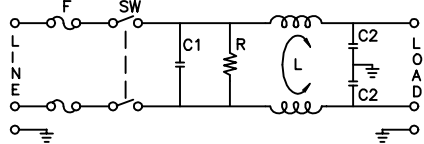
Revision			
Rev.	Description	Date	Approved

1. PHYSICAL DIMENSIONS:



UNIT: mm

2. SCHEMATIC:



L: 2.0mH
 C1: 0.22uF
 C2: 2200pF
 R: 1.0MΩ

1. ELECTRICAL CHARACTERISTICS:

- 1-1. VOLTAGE RATING 115/250VAC
- 1-2. CURRENT RATING
 - A. AT 115VAC 3 A RMS Max.
 - B. AT 250VAC 3 A RMS Max.
- 1-3. OPERATING FREQUENCY..... 50/60 Hz
- 1-4. LEAKAGE CURRENT: EACH LINE TO GROUND
 - A. @115VAC 60Hz 0.20 mA Max.
 - B. @250VAC 50Hz 0.40 mA Max.
- 1-5. HIPOT RATING (FOR ONE MINUTE)
 - A. LINE TO GROUND 2250VDC
 - B. LINE TO LINE 1450VDC
- 1-6. TEMPERATURE RANGE: -25 TO +85 DEGREE C
- 1-7. MINIMUM INSERTION LOSS IN dB: (AT 50 OHM SYSTEM)

FREQ. MHz	.01	.05	.10	.15	.50	1.0	5.0	10	30
COM. MODE dB	2	10	12	15	30	35	35	40	25
DIF. MODE dB	/	2	5	8	15	20	30	35	35

1-8. SAFETY

Dim range (mm)		Tolerance +/- (mm)		Qualtek Electronics Corp. PPC DIVISION		
		Part Number: 880-03/002				
0-1	0.15	Description:				
1-6	0.20	EMI FILTER				
6-18	0.30	Drawn/Date		Checked/Date		Approved/Date
18-50	0.50					
50-120	0.70	B.ZHANG 09-12-01		BAC 09-12-01		JJH/09-12-01
120-250	0.90					
250-500	1.20					